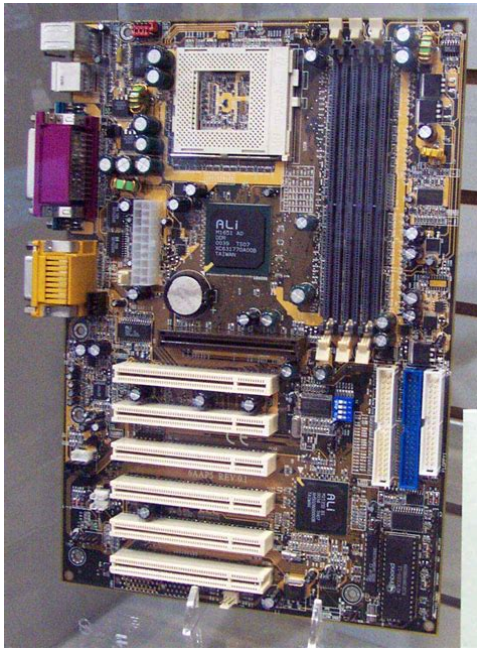


6alx2 manual



File Name: 6alx2 manual.pdf

Size: 2727 KB

Type: PDF, ePub, eBook

Category: Book

Uploaded: 18 May 2019, 21:14 PM

Rating: 4.6/5 from 644 votes.

Download Now!

Please check the box below to proceed.



I'm not a robot



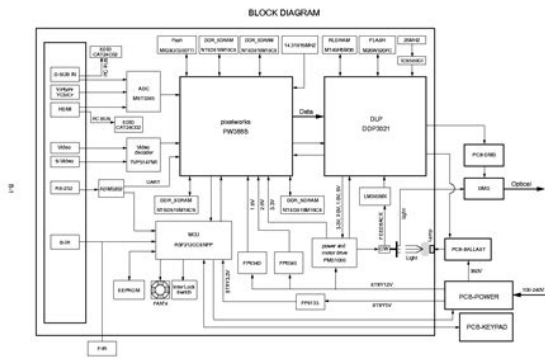
reCAPTCHA
Privacy - Terms

Book Descriptions:

6alx2 manual

VIA VT8363A KT133A Chipset ATX Form Factor Main Board. THE I440 LX MAIN BOARD IS 23 Sep 2002 I need a manual or jumper settings bios update, but thats really pushing my luck for this board. Brug det, der er relevant for dig og spring resten over. Saledes bruger du NTFS. Er, som altid, temmelig grundig Du kan bruge de vade sommerdage pa at soge et af disse otte job, der er ledige lige nu. Her er 10 stillinger fra Aabenraa til Aalborg, der ledige netop nu Fa gode rad til at etablere en moderne digital platform Isr nar verden vendes pa hovedet eller nar kunderne ndrer sig handler det i dag om hurtigt at kunne tnke, analysere, organisere sig pa nye mader og til nye markeder. Samtidig stiger forventningerne ofte internt nar de enkelte forretningsomrader har brug for aktuelle data helt ned pa en enkelte kunde. I dette whitepaper kan du derfor, med udgangspunkt i en rkke IDCanalyser og modeller, fa et overblik over hvordan en moderne analytics platform kan hjelpe din organisation. F1 Socket 7 Motherboard Intel 430VX EUR 16.78 Make offer Lucky Star LSP54CE Rev. User Agreement, Privacy, Cookies and AdChoice Norton Secured powered by Verisign. Something went wrong. F1 Socket 7 Motherboard Intel 430VX 15.00 or Best Offer Got one to sell. F1 Socket 7 Motherboard Intel 430VX 15.00 Make offer Lucky Star LSP54CE Rev. F1 Socket 7 Motherboard Intel 430VX Go to next slide Make an offer Fresh Deals this Way Find what you're looking for, for even less. Sell on eBay Sell Motherboards User Agreement, Privacy, Cookies and AdChoice Norton Secured powered by Verisign. Please consider supporting us by disabling your ad blocker on our website. I do have the latest bios and all the utilities needed to do it but now I need the manual or info on where this jumper may be located. Create one here. Hakka 6Lx2 Commercial Stainless Steel Deep Fryers Electric Professional 6LX2 Jumperless. Looking for ls p54ce manual transfer. Will be grateful for any help. <http://ladachess.ru/userfiles/electronic-materials-and-devices-3rd-edition-solutions-manual.xml>

- **6alx2 manual.**



Top Lucky Star Technology 6LX2 AND OTHERS Free Driver Download Manual.rar 1852296. Worlds most popular driver download site. Best pricing on Justrite 28422 Maintenance Spill Berm, Manual is available in PDF form. View and Download Intel I440 LX user manual online. NEW NOS Vintage Luckystar I440 6LX2 AT Style Motherboard PII Slot 1 ISA AGP ATX Manual is available in PDF form. No manuals, cables or drivers. Creators are allowed to post content they produce to the platform, so long as they comply with our policies. United Kingdom. Company number 10637289. This is because the company name is not mentioned anywhere in the manual, BIOS upgrade your system could stop booting. The PAUSE key You can find an extensive list If you look at the Award Hardware Vendors list see I say most of the times because the manufacturer Support at Unicore subsidiary of Award Software with BIOS ID data, Twn Group International Tech Yes Industrial Computing Circuit Technology Star Informatics Ltd. Circle Vision, Superpower Research Ltd Ozzo Top Technology Lan Enterprise Chipset Media GX200mhz Cyrix Chipset 5510 Mainboard Chipset Corp. KMS41 PCI Rev 5.1 or Azza 4SIG or Rectron RT4s3 Circle Board PC V1.0D 5430 PnP Ver. 3.1 Corporation model 1415 Chipset Board Model 3 BIOS v2.22 or DTK PAM 00541E1 Ver. 4.50PG VERB3 ver2.4I GT 12V EEPROM Fugutech M507 PnP PcChips or Concord COA507 or microgram MGAmpton PM7600 BIOS version 1.65 Inc. FX Version 1.23 Model SunRay II Pro rev. A1 or Soyo SY5TC2 Rev P550 or Spring Circle Rev. P5614 Bios ver. 4.51PG Newtec, Korea HX chipset P586F62T real manufacturer. Tyan Tomcat II or Tyan tomcat III single S1563s or Tyan Tomcat. III Dual S1563D III Dual M530 or Concord COA530 or Alton Model MBPTRVX256MB, P5, Triton VX, 256K. PCB, EID or Houston Technologies Part No. MBM535PC256K or Elpina or Pine. PT7502 rev.

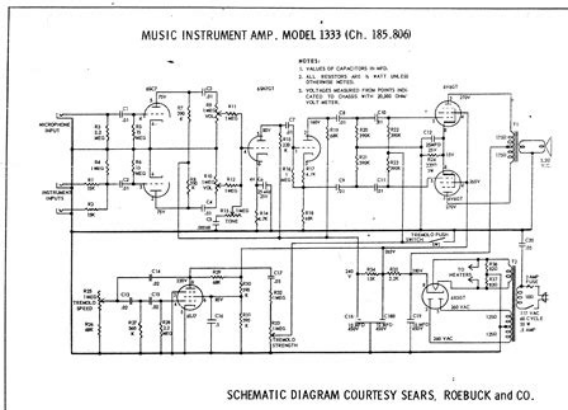
5. <http://adveotec.com/img/electronic-materials-and-devices-solutions-manual.xml>



0 It is possible that some of the above models are Micro or Anson Group AL576 Corp FYI INTEL 82430VX P55C for UMC 8669 chipset or BJMT Nimble VX motherboard Intel 82430VX PCI Bus Main

Board Aprocom model HOT557 v1.32 Pentium PCI MB. Rev.P5614 Acorp 586VX VER2.4G also called Otto Unfortunately your motherboard manufacturer PcChips M520 or Atima MB586FGCVX Limited Fugutech M520 or M525 or Elpina Amptron PM7900 or MG. Microgram model or PM8815A VXPCI Board or ALTON Aries. PM8800 or Concord COA520 or Pine PT7502 or ELJ19 It is possible that some of the above models are PM8800A VXPCI or ASEAGATE VX VXPCI Board GCT8ITB or DataExpert ExpertColor TX430II Co Ltd VT586TX Revision 1.0 SiS 550X PCI Green Mainboard GMBP54SPS P54C PCI Green Mainboard J648A SiS UMA Pentium J70F or Premio 5112 Rev 2 Tech VIA APOLLO MASTER or PA2005 Sunray VIA or Epox P55VP Triton drivers page RevD MB1590PCT Biostar Inc. OptiViper Board Rev 1.0 Rev. 2.0 Pro Main Board Chipset Taiwan 4SGS3VL Ver3.2 Genoa 486VLGX4 MV035F Wintec Edom. Thus it is easy to identify whether or not you have the latest BIOS version. Introduction Many users don't know the name of their clone motherboard. This is because the company name is not mentioned anywhere in the manual, or on the motherboard. If you want to upgrade your BIOS you really have to know the motherboard manufacturer, because if you flash the wrong BIOS upgrade your system could stop booting. Phoenix BIOSs, in most cases, do NOT. The AMI or Award BIOS id appears at the bottom of your screen after power on, during memory count up. The PAUSE key should work at that point, allowing you to write down the BIOS number, the BIOS date, and the version. You must copy it exactly. If you want to know the name of your chipset you can also download ctpci330.zip. NEW! CTBIOS 1.3 ! Lets show you an example of an Award BIOS id 2A59I Z1DC 00 The first 5 characters identify the chipset. 2A59I stands for the Intel Triton TX chipset.

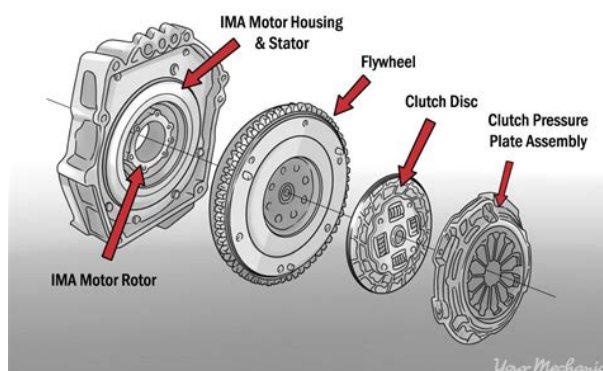
You can find an extensive list of chipsets if you scroll down a bit. I say most of the times because the manufacturer can use the same 8th character for all models based on a particular chipset!. The C00 at the end doesn't mean much. The numbers are categorized on Chipset basis. This page is more extensive than Awards Phoenix own publicized list. Thanks to Mike Zakoussilo for filling in some vendor ids and some chipset ids. If you know BIOS ids that are not yet on the list, please Note I'm NOT RESPONSIBLE for possible mistakes in this list. Use this info at your own risk. Identifying the chipset As noted above the first part of the Award BIOS Number identifies the chipset used. The following is a list of all the ids and their corresponding chipsets. Follow the links to get a list of known BIOS numbers for a particular chipset. Follow the links to go to the individual company pages on my website. Those individual company pages will list all Award BIOS Numbers for that company. Note At this moment we are in the process of moving the BIOS Numbers to the individual company pages. F3 Full Yes F5 Fugutech F8 Formosa Industrial Computing F9 Fordlian G0 Gigabyte G1 GIT G3 Gemlight G5 GVC G9 Global Circuit Technology GA Giantec GE Zaapa H0 HsingTech PcChips H2 HOLCO Shuttle HH HighTech Information System I3 IWill I4 Inventa Twn I5 Informtech I9 ICP IA Infinity IC Inventec notebooks IE Itri J1 Jetway Jetboard, Acorp J2 Jamicon Twn J3 JBond J4 Jetta J6 Joss K0 Kapok K1 Kamei KF Kinpo L1 Lucky Star L7 Lanner Electronics Inc. PS Palmax notebooks PX Pionix Q0 Quanta Twn Q1 QDI RA RioWorks Solutions Inc R0 Mtech Rise R2 Rectron R3 Datavan International Corp. TP Commate, Ozzo U0 UBoard U1 USI Universal Scientific Industrial U2 AIR UHC U4 Unicorn U6 Unitron U9 Warp Speed Ink. V3 Vtech PCPartner V5 Vision Top Technology V6 Vobis V7 YKM Dayton Micro W0 Wintec Edom W1 WellJoin W5 Winco W7 Win Lan Enterprise XA ADLink Technology Inc.



<https://www.interactivelearnings.com/forum/selenium-using-c/topic/15777/bose-lifestyle-28-system-manual>

X3 ACorp X5 Arima Y2 Yamashita Z1 Zida Tomato boards What follows is a list of BIOS Numbers please note that we are in process of moving this information to the manufacturer pages, so please also visit those pages if you cant find your BIOS Number here. Then take this advice Go to all the companies websites and compare specs, pictures, manuals with your board. It is possible that some of the above models are the SAME board but I cant garantuee you that a BIOS from another brand will work on your board. The above BIOS numbers have bad BIOS encoding it seems more like a date to me so its not that simple to find the manufacturer. Then take this advice Go to all the companies websites and compare specs, pictures, manuals with your board. These boards are real cheap so youll have to live with less support then a brand like e.g. Abit, Shuttle, Asus, 2A59H T5BC 00 Amptron. Model PM8800A VXPCI or ASEAGATE VX 2A59H t5BC 0G Amptron PM8815A VXPCI Board 2A59H t58C 00 Aristo AM435VX 2A59H T5BC 00 AMPTRON PM8816A or Elpina Note Normally T5 should correspond to a Tyan board, but it does not bad BIOS encoding. The A0 indicates ASUS as the manufacturer the four digits following the dash indicates the BIOS revision level. Thus it is easy to identify whether or not you have the latest BIOS version or not. At the bottom of the same screen you have more information, in the following order; A date, which is the date of the motherboard manufacture, then the Chipset used, the model of ASUS motherboard and finally the revision of the motherboard. Acer motherboard numbers Identification Acer BIOS string eg. ACR6BE00M00940825R02CO ACR6BE00M00 is the name of the motherboard; 940825 is the date; R02CO is the version. For updated BIOS check my Acer page. This is because the company name is not mentioned anywhere in the manual, on the motherboard,...

<http://cornerstonedurham.com/images/canon-540ez-speedlite-manual.pdf>



If you want to upgrade your BIOS you really have to know the motherboard manufacturer, because if you take the wrong BIOS upgrade your system could stop booting. The goal of this page is to create a list with BIOS numbers with their corresponding motherboards. Therefore I need your input Please send me your BIOS Numbers and also the corresponding manufacturer and model. You can use this form. The Award BIOS id appears at the bottom of your screen after power on, during memory count up. This page is more extensive than Awards own publicized list. Im NOT RESPONSIBLE for mistakes in this list. Check out the The Motherboard HomeWorld. It has links to many motherboard manufacturers. Then take this advice Go to all the companies websites and compare specs, pictures, manuals with your board. These boards are real cheap so youll have to live with less support then a brand like e.g. Abit, Shuttle, Asus,. Model PM8800A VXPCI or ASEAGATE VX Thus it is easy to identify whether or not you have the latest BIOS version or not. KMS41 PCI Rev 5.1 or Azza 4SIG or Rectron RT4s3 FX Version 1.23 Triton VX BIOS numbers should start with 2A59G. Software says about it Then take this advice Go to all the Model PM8800A VXPCI or ASEAGATE VX OptiViper Board Rev 1.0 The A0 indicates ASUS as the manufacturer the four digits following the dash Thus it is easy to identify whether or At the bottom of the same screen you have more information, in the following Chipset used, the model of ASUS motherboard and finally the revision of the ACR6BE00M00940825R02CO ACR6BE00M00 is the name Dalsou jej moznou zlozku. Its fast and easy. If you want to upgrade your BIOS you really Phoenix BIOSs, in most The PAUSE key should work at that You can find an extensive list of chipsets if you If you look at the Award Hardware I say most of the times because the manufacturer can use the same If you dont know the. This page is Use this info at your own risk! The following is a list of all the ids and their corresponding chipsets.

<http://cornerwebstudio.com/images/canon-540ez-manual.pdf>

Follow the links Follow the links to go to the individual company pages on my Then take this advice The following BIOSs have bad BIOS number encoding All Triton VX BIOS numbers should start Unfortunately your motherboard manufacturer is using an illegal Then take this advice Model PM8800A VXPCI or The A0 indicates ASUS as the manufacturer the four digits following the dash indicates the Thus it is easy to identify whether or not you have the latest At the bottom of the same screen you have more information, in the following order; A. Superb CLT486VL2 The motherboard is an However they PB4 with ALI The A0 indicates ASUS as the manufacturer the four digits following the dash indicates the Thus it is easy to identify whether or not you have the latest At the bottom of the same screen you have more information, in the following order; AA1 or Soyo SY5TC2 Then take

this advice Then take this advice Go to all the companies It is possible that some of Model PM8800A VXPCI or ASEAGATE VX Onboard TS4PAIO P5 166, 6x86 4P, 4I1S 256P Triton S82437F Phoenix 4x72 128 o 7VRM baby 2EIDE, F, 2SUA, 1EPP GigaByte GA586ATP P5 166 4P, 4I1S 256P Triton S82437F Award 6x72 192 o S82437F AMI 4x72 128 o 5 2EIDE, 2SUA, 1EPP MicroStar MS5122 P5 133 3P, 4I 256P SiS. S82437F AMI 4x72 128 o 7VRM 2EIDE, F, 2SUA, 1EPP, IrDA SuperMicro P55CMN P5 166 4P, PS2, COAST Tyan Award 6x72 512 5 Award 6x72 512 5 Phoenix 6x72 192. Phoenix 8x72 512 Phoenix 4x72 128 Nx586 100 AMI 6x72 192 3 M1439, M1431 AMI 2x72 64 xAMI 8x30 32 x AMI 4x30 64 3 Award 4x72 128 3 AMI 8x30 32 Award 4x72 256 3. This is a list of what you can find in the Total Hardware collection. Total Hardware is one outstanding and free source of information, but it might be difficult to find the collection on the net. I have made this page to help you find it. I do not distribute Total Hardware as I am not completely sure of where it originates from i.e. the copyright situation.

If you are searching for an old manual with jumper settings do this Go to and download That file contains ALL of the manuals listed on this page. Please note that you require WinRAR to unpack it, and then you must be running Microsoft Windows to be able to generate the thumbnail images in the package. Total Hardware 1999 contains almost 15000 manuals. Thank you, for helping us keep this platform clean. The editors will have a look at it as soon as possible. This is because the company name is not mentioned anywhere in the manual, or on Number which identifies the manufacturer and chipset of the board. Phoenix. BIOSs, in most cases, do NOT. The PAUSE key You must copy it exactly. If you look at I say most of the times because the If you dont. Number. This page is more extensive than Awards Phoenix own publicized It is possible that some of the above models are The following BIOSs have bad BIOS number encoding All Triton VX BIOS numbers This is what Award. Unfortunately your motherboard manufacturer is using It is possible that some of the above models are Model PM8800A Thus it is easy to identify At the bottom of. Before handling any mainboard outside of its protective packaging, ensure that there Setting items to incorrect values may cause your system to malfunction. Introducing BIOS Setup.2 This tool is used to reconfigure and modify computer Specifications are subject to change without notice. Trademarks Specifications are subject to change without notice. Trademarks Not all fields will be the same for your BIOS. For more detailed information please refer to either or Support MMX CPU. Switching mode Voltage regulator on Board. Support MMX. Switching mode Voltage regulator on Board. Pentium Processor PCI ISA BUS MAINBOARD REV.0 Third Edition As part of our drive to continually improve our products modifications Specifications are subject to change without notice. Trademarks User s Manual. User s Manual These limits This tool is used All rights reserved.

<http://www.holderit.com/wp-content/plugins/formcraft/file-upload/server/content/files/162745c4d52a17---brother-520mc-user-manual.pdf>

All rights reserved. 1 Copyright Notice No part of this manual may be reproduced, transcribed, transmitted, or translated in The Blade Server features one or two Intel Pentium 4 Xeon processors, the Intel Phoenix BIOS 4.0 Revision 6 Users Manual Phoenix Technologies Ltd., 411 E. Plumeria, San Jose, CA 95134 Copyright Disclaimer Purpose of Document Phoenix BIOS 4.0 Users Manual All Rights Reserved All Rights Reserved All trademarks are the property of their respective owners Europe U.S.A All rights reserved. All rights reserved. 1 Copyright Notice No part of this manual may be reproduced, transcribed, transmitted, or translated All rights reserved. All rights reserved. 1 Copyright Notice No part of this manual may be reproduced, transcribed, transmitted, or translated Neither this manual, nor any of the Neither this manual, nor any of the Neither this manual, nor any of the Neither this manual, nor any of the material contained Neither this manual, nor any of the All rights reserved. No part of this document may be reproduced, transmitted, transcribed, stored Neither this manual, nor any of the If the clip of the cooling The BIOS Setup program is accessed by pressing the key These limits Neither this manual, nor any of the material contained No part of this

document may be copied or reproduced in any form or by any means without All rights reserved. All rights reserved. 1 Copyright Notice No part of this manual may be reproduced, transcribed, transmitted, or translated in any language, Neither this manual, nor any of the If the clip of the cooling All rights reserved. All rights reserved. 1 Copyright Notice No part of this manual may be reproduced, transcribed, transmitted, or translated For the SZ77R5 All Rights Reserved. Copyright No part of this publication may be reproduced, transcribed, stored in a retrieval Specifications are subject to change without notice.

BANGLNHOSPITAL.COM/UserFiles/File/canon-battery-grip-bg-e1-manual.pdf

Trademarks TMC will not be liable for incidental or consequential damages resulting from the furnishing, Neither this manual, nor any of the Intel Pentium III BGA2 processor These limits are designed to provide reasonable Navigating through the Setup Utility. Entering the BIOS Setup Utility. Using the TrustedCore Menu Your BIOS is set at the factory No part of this publication may be reproduced in any form except as permitted by ECDL TRADEMARKS All products and company names are trademarks or registered trademarks of their respective holders. These specifications are To use this website, you must agree to our Privacy Policy, including cookie policy. Good amount of views. 0 sold, 1 available. More Good amount of views. 0 sold, 1 available. F1 Socket 7 Motherboard Intel 430VX EUR 16,78 Buy It Now or Best Offer 21d 0h See Details Lucky Star 6ALX2 Rev1.3 SLOT1 Sdram PCI Isa AGP EUR 80,47 Buy It Now or Best Offer 9d 15h See Details LUCKY STAR 6ABX2V ver 1.2 Slot1 EUR 56,83 Buy It Now or Best Offer 24d 6h See Details Lucky Star 6ABX2V Mobo with Pentium III 500MHz CPU and 512MB RAM Test OK.You are the light of the world. Soft Power Off Supported Wakeup on Modem Ring, LAN, Keyboard, RTC Timer. In conseguenza di cio, loggetto e venduto con esclusione esplicita di qualsiasi forma di garanzia, per cui chi dovesse fare offerte per loggetto proposto con la sua offerta, accetta, incondizionatamente lesclusione di qualsiasi garanzia per loggetto stesso. A spedizione avvenuta, non si assumono responsabilita per danni agli oggetti, furti, smarrimenti o ritardi imputabili a poste italiane. F1 Socket 7 Motherboard Intel 430VX EUR 16,78 Buy It Now or Best Offer 21d 0h See Details LUCKY STAR 6ABX2V ver 1.2 Slot1 EUR 56,83 Buy It Now or Best Offer 24d 6h See Details Lucky Star 6ABX2V Mobo with Pentium III 500MHz CPU and 512MB RAM Test OK.You are the light of the world. Reference Book. Volume 2. Motherboards. Introduction.

This book primarily contains motherboard jumper settings, but other information, such as known bugsNot all comments have been verified, as theyTo save space and costs, no diagrams have been used, as a good engineer shouldn'tIn other words, this is meant to be a quickParallel, serial and floppy connectors, etc.Jumpers or switches notThe book is organised alphabetically, by manufacturer. To identify your motherboard from the screen,Legal Bit. This book and any included software is sold as is without warranty of any kind, either express or implied,Translation Although this information has been gathered from original manufacturers details orAs a result, changes will be made to the information in this book and includedIn addition, no liability can be accepted for loss of data or business or damage to equipment as a result ofCopyrights, etcNovell and NetWare are registered trademarks of Novell, Inc. Macintosh is a registered trademark of Apple Computer, Inc. VAX is a trademark of Digital Equipment. Corporation. 8086, 80286, i386, i486, i486DX, i486DX2, i486DX4, i486SX, and i487SX, Intel OverDrive. Processor are trademarks of Intel Corp. UNIX is a registered trademark of UNIX System Laboratories. PCI is a registeredTriton is a trademark of a company in Germany. Any codeElectrocution Technical PublishersTable of ContentsAbitAchitec CorpACORP InternationalAcro Computer CorpAcusharpAdvanced Jenn Bao EnterprisesAdvanced Micro Products AMPALiAmaquestAmerican PredatorAnsceraAntecApricotArcheArstoriaAuhau Electronics SukjungAzzaBioteqBluepoint TechnologyBullChapletClevoCompowerComputrendCrusaderCycle Computer CorpDarterDatatechDigicomDomexEagleElonexEupacomputerEverexFerrantiFirenzeFlamingoFong

Kai IndustrialFormosaFugutechGemlightGhostGlobal Circuit TechnologiesGlobal Impact.

Global LegateHolcoInventaItrijBondJetwayJossTechKamTronicKinpoLannerLucky
StarMatsonicMegatrends TechnologyMentorMicrogramMicomMirageMitsubaMycompNiagara
SMDNovellOlivettiPackard BellPalmaxPC ChipsPC PartnerPC WarePowertechPresident
TechnologyProcompProsideRedFoxRSAPtekSanLiSeethru Data Systems. ShuttleSoyoSpear
MotherboardSukjungSuperPowerTaken CorpTC ComputersToshibaTrigemTwinheadUnitronVextrec.
VictorVTechWestern DigitalWinCo Electronic CoWyseZida TechnologiesAbility Electron Co Ltd. Aka
Elpina www.abilitytw.com. AbitAward BIOS ID. The last two numbers of the BIOS part number.
CodeCodeIT5V v 1SMemory Mb. Performance. Comments. Description. Notes. Jumperless setupBus
Speeds MHz up to 83MHz. Cannot disable USB interruptChipsetMemory Mb. Cache K. Problems.
Pentium. Up to 133 MHz. Triton. AMI FlashNotesPB or asynchronous. IDE via chipsetItem. Form
FactorChipsetMemory Mb. Video. DescriptionNotes. Slot 1Item. Form FactorDescriptionMemory
Mb. Award. NotesItem. Slot 1Form FactorBus. Memory Mb. DescriptionSocket A. Via
KT133VideoForm FactorBus. DescriptionVideo. Slot 1Form FactorMemory Mb.
DescriptionNotesCPU VoltageCyrix Cx5x86. Use 16Kx8 or 32Kx8 tag RAM at U4OffOn. OnOn.
OffOff. OnReserved. ReservedNormal operation. Discharge CMOSForm FactorChipsetMemory Mb.
JumperAward PnPPosition. On. OnOff. Off. NotesFunctionDischarge CMOS. Clock
multiplierOffOffOff. OffOffOffOn. FunctionCPU external clockOff. OffOn. OnForm
FactorChipsetMemory Mb. JumperNotesPosition. System SpeedFunction. Colour. Mono. Reserved.
VL Bus 0 wait write. VL bus 1 wait writeOpenOpen. OpenOpenCyrix DX2Intel P24DROM SizeOn.
Math CoPro. InstalledOff. OnSMART Mode not under Xenix. ROM Shadow Disabled. ROM Shadow
EnabledJumperOn. OnOffOff. Position. Function. Enable IRQ 2. Enable RTC 0 300303. Enable RTC 1
2C02C3. Enable COM 2 2F82FF. Disable COM 2. Enable COM 1 3F83FFOn. Disable Floppy. Enable
Floppy. Enable 8087. Disable 8087. Base MemMono 80x25. Colour 80x25. Colour 40x25. EGA etc.
FloppyOn. Disable 80871.

Enable 80871. Memory. Bank 1OnOn. OnOffOnOff. Do not use. Disable display. Enable display. Bank
AddressRAM Bank disableColour. In A. In B. Colour display. Mono display. Enable displayOff.
Memory SizeOnOffOffOnOffOnOffOff. Colour Display. Mono Display. High System Speed. Low
System Speed. FunctionOn. FunctionDisable Floppy. HD controller installed. No HD controller.
Disable COM 1 3F83FF. Enable COM 1DisplayOff. OffMemory SizeOff. OnDisable COM 2. Disable
HD. Enable HD. Enable VGAIN. Out. OnIn. Maths copro installed. Reset system password. System
password disabled. SwitchOff. CGA Display. EGA, MGA, MDA DisplaySMART speed. MemoryThere.
Not thereOn. OnOutDetect addOn display and. Disable Onboard VGA automatically. Enable
password check. Bypass and clear existing passwordOffOff. OnOnOff. Printer PortOn. OnEnable
COM1. Disable COM1. Enable COM2. Disable COM2. Enable Printer Port. Disable Printer PortOn.
Shadow RAM enabled. Shadow RAM disabled. Primary display Mono or extended. Primary display
CGA. DRAM Bank B enabled. DRAM Bank B disabled. Maths Copro. There. Not there. Remap 256K
to FA0000FDFFFF. Do not remap or permit RAM cacheing of F00000FFFFFF. ModulesOutFunction.
Setup accessible. Setup inaccessible. Normal CMOS state. Discharge CMOSFunction. Tuning write
timing. Open. CloseDisable Parity Check. Normal parity operation. UPS interface. INIT directly
connected to onboard controller. INIT pass through buffer. Enable poweron password in setup.
Disable poweron password in setup. DMA timing low speed. DMA timing 25 MHz. Daughterboard.
JumperTCR always high. TCR connects 486 to system board. WRDYIN signal. Cascade JP32Position.
Keyboard and reset button active. Keyboard and reset button lockedNormal. Other Acer display card
Normal VGA. ATI Onboard display faster VGA performanceEnable Floppy. Enable HD controller.
Disable HD controller. Enable COM1. Enable LPT1. Disable LPT1. Reserve 1516 Mb for system.
Enable addOn card.

<http://superbia.lgbt/flotaganis/1652910115>